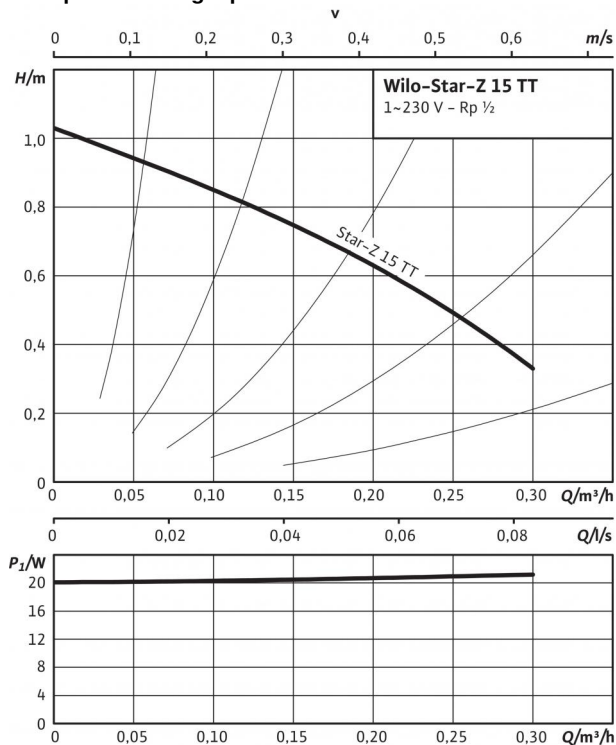
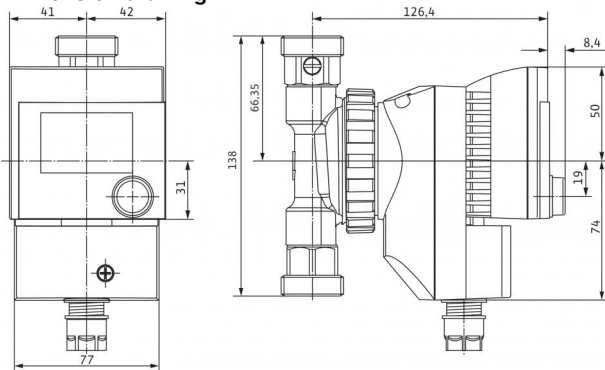


## Data sheet: Star-Z 15 TT

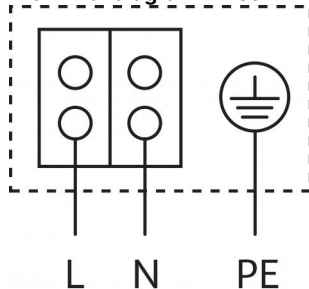
### Pump curves Single-phase current



### Dimension drawing A



### Terminal diagram 1~230 V



Blocking current-proof motor  
Single-phase motor (EM) 2-pole - 1~230 V, 50 Hz  
With built-in capacitor

### Approved fluids (other fluids on request)

Drinking water and water for food-processing companies in accordance with TrinkwV 2001 (drinking water ordinance)

### Permitted field of application

Temperature range for applications in domestic hot water circulation systems at maximum ambient temperature of +40 °C

Temperature range for applications in domestic hot water circulation systems at max. ambient temperature of +40 °C in short-time duty 2 h T

Max. permitted total hardness in domestic hot water circulation systems

Maximum permissible operating pressure  $P_{max}$

+2 ... +65 °C

70 °C

3.21 mmol/l (18 °dH)

10 bar

### Pipe connections

Threaded pipe union

Thread

Overall length  $L_0$

Rp 1/2

G 1

138 mm

### Motor/electronics

Emitted interference

Interference resistance

Protection class

Insulation class

Mains connection

Speed  $n$

Power consumption  $P_1$

Current consumption  $I$

Motor protection

Threaded cable connection PG

EN 61000-6-3

EN 61000-6-2

IP 42

F

1~230 V, 50 Hz

2700 rpm

max. 22 W

max. 0.25 A

Not required (blocking-current proof)

1x9

### Materials

Pump housing

Impeller

Pump shaft

Bearing

Brass (CuZn40Pb2)

Plastic (PPO)

Ceramic

Carbon, synthetic resin impregnated

### Minimum suction head at suction port for avoiding cavitation at water pumping temperature

Minimum suction head at 40 / 65 / 110 °C

0.5 / 2 / 0 m

### Information for order placements

Make

Type

Art no.

Weight approx.  $m$

Wilo

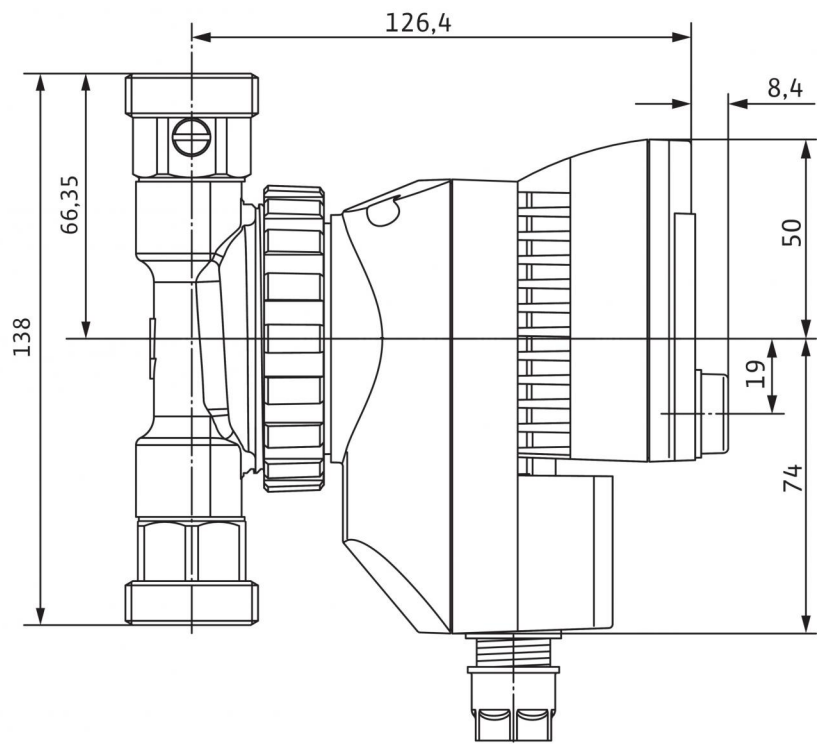
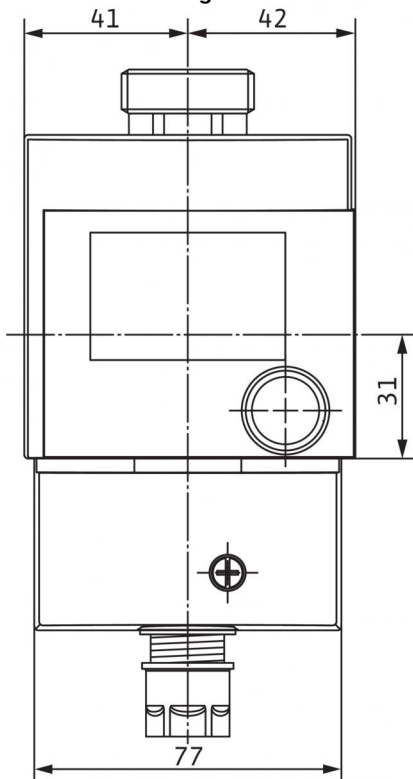
Star-Z 15 TT

4110919

2.33 kg

Dimensions and dimensions drawings: Star-Z 15 TT

Dimension drawing



## Pump curves: Star-Z 15 TT

Pump curves Single-phase current

